

NOTES:

1. ALL DIMENSIONS FOR REFERENCE ONLY.
2. MATERIALS:
HOUSING AND END PANELS - ALUMINUM, BLACK ANODIZED
COMPONENT PANELS - ALUMINUM, BLUE ANODIZED
3. LASER ETCHED WHITE TEXT AND ARTWORK.
4. THIS PRODUCT IS RoHS COMPLIANT.

CUSTOMER DRAWING

UNLESS OTHERWISE SPECIFIED 1. ALL DIMENSIONS IN INCHES - TWO PLACE DECIMALS ±0.02 - THREE PLACE DECIMALS ±0.005					SIZE *		WIDTH *	MULT *	LBS/M *	TEMPER *	
					FINISH		MATERIAL		SPEC No.		SPEC No.
DO NOT SCALE DRAWING					FIRST USED ON		SCALE 1:1				
					DATE DRAWN	BY	CHKD	APVD	Switchcraft®		
REVISIONS					3/2/10	BHM	7-20-10	8-10-10	SHEET 1 OF 3		
NAME INSTRUMENT DIRECT BOX WITH JENSEN TRANSFORMER					PART No.		SC800		REV A		

SC800 Instrument Direct Box

Audio Specifications

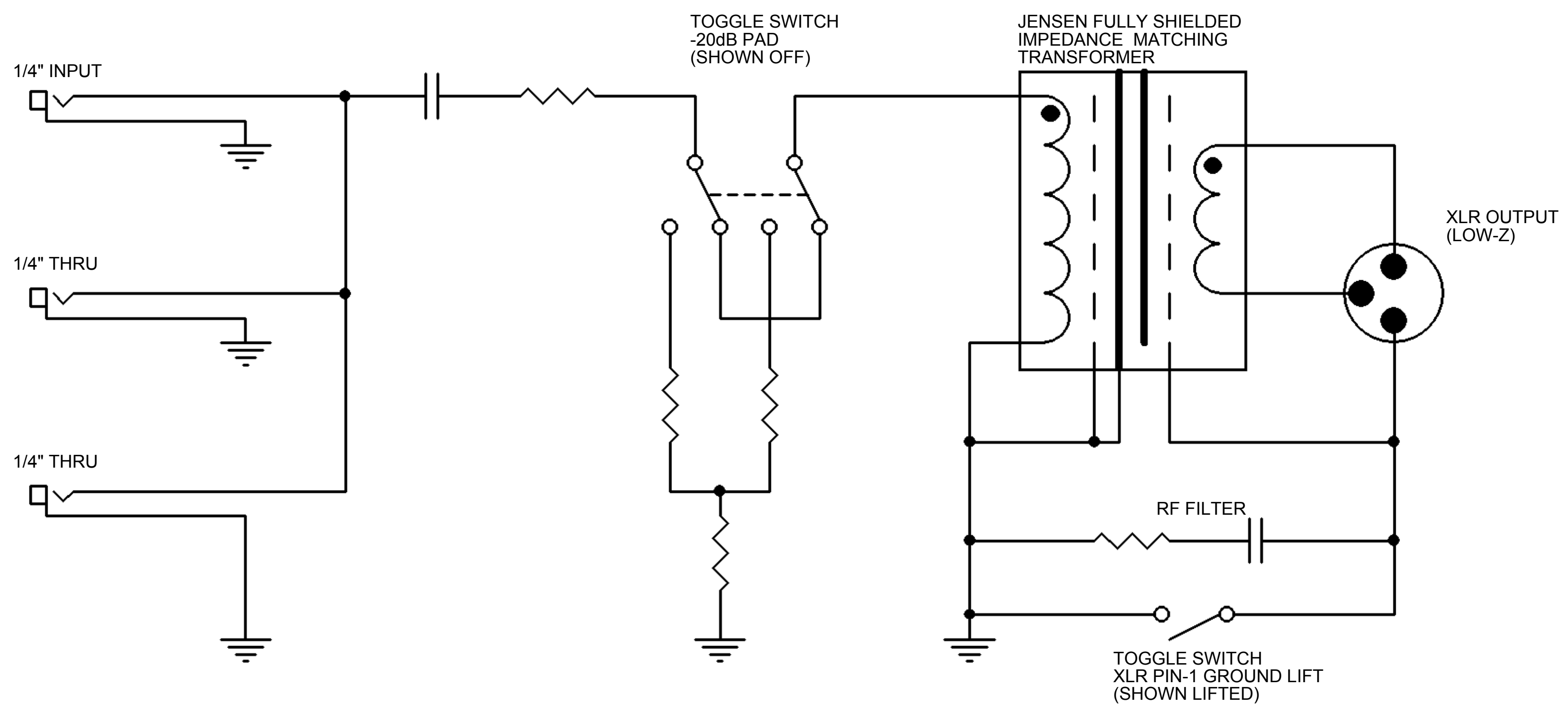
Switchcraft®

Parameter	Performance	Conditions
Frequency Response	10Hz - 40kHz	+/-0.3dB, ref 1kHz
Total Harmonic Distortion + Noise	< 0.006% <0.05%	at 1kHz, +4dBu Input, 22kHz Bandwidth at 20Hz, +4dBu Input, 22kHz Bandwidth
Maximum Input Level	+21dBu	at 20Hz with 1% THD+Noise
Input Impedance	> 150kΩ	at 1kHz
Output Impedance	< 170Ω	at 1kHz
Common Mode Rejection Ratio (CMRR)	>100dB	at 60Hz
Deviation from Linear Phase	< 3° < 1° < 16°	at 20Hz at 1kHz at 20kHz
Voltage Gain	-23dB -43dB	+/-1dB +/-1dB with 20dB pad engaged
Pad Attenuation	20dB	+/-1dB

Notes: All measurements were taken with a 25Ω unbalanced source and measured from the XLR with a 1kΩ balanced load.
Specifications subject to change without notice.

CUSTOMER DRAWING

SCALE 1:1	Switchcraft®	
DATE DRAWN 3/2/10		
DRAWN BY BHM	PART No. SC800	REV A



CUSTOMER DRAWING

SCALE 1:1	Switchcraft®	
DATE DRAWN 3/2/10		
DRAWN BY BHM	PART No. SC800	REV A